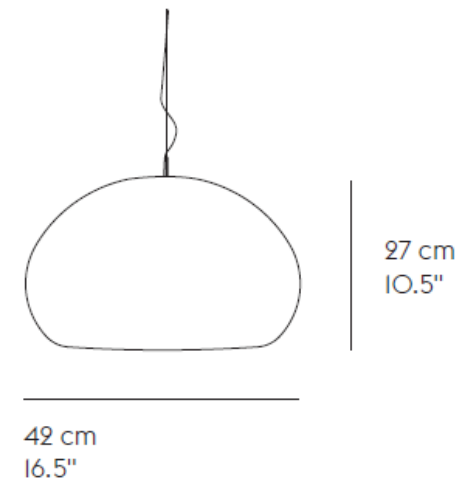




Fluid

Inspired by a resting drop of water, the Fluid Pendant Lamp shows how soft light can diffuse across a space for a cosy atmosphere. The frosted matte surface creates a glowing ambience that fits into any home or casual business setting. Present the design individually or in a group for an intimate atmosphere.

Brand: **MUUTO**
Item type: Pendant Lamp
Item code: 15401
Designer: TAF Architects
Color: Opal White
Dimension: 42Ø x 27cmH



Click the link for more options and finishes:

<https://muuto.com/fluid>