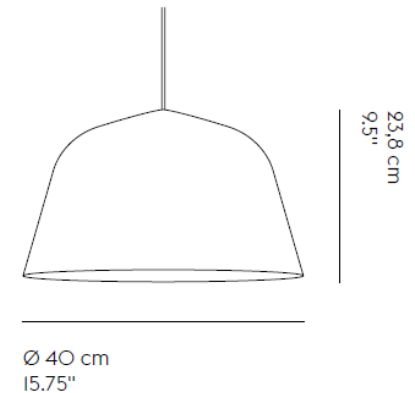




Ambit

Embodying the Scandinavian design values, the Ambit pendant lamp is as timeless as it is contemporary. Made of hand-spun aluminum that has been hand-painted, the Ambit has a white interior to heighten contrasts with the outside of the shade and enhance the light. It is available in two sizes, five colors and integrates seamlessly into any room of a home, office or commercial space. Aluminum lamp shade and rubber cord. Made from old braizer traditions, the lamp shade is press spun by hand. Hereafter, the lamp shade is polished and painted by hand.

Brand: **MUUTO**
Item type: Pendant Lamp
Item code: 26024
Designer: TAF Architects
Color: Black
Dimension: 40Ø x 23.8 cm



Click the link for more options and finishes:
<https://muuto.com/ambit-pendant-lamp>