

MILANO sofa

Milano+ is the newest design evolution of Milano, the monobloc sofa first introduced in 1982. This new series of elements, with the addition of a long armchair and rectangular pouf, can create an extended range of modular solutions, both linear and angled. Back cushion in 100% new goose feather. Removable fabric or leather cover. The version with the sling in leather 99 and cushions covered with fabric is also available. Quilted pouf. Polished aluminum alloy or nickel-plated glossy black feet. Base in multilayered wood. Upholstery in polyurethane/polyester fibre. Removable quilted cover with heat bound polyester fibre, in fabric or leather.



Brand: **Zanotta, Made in Italy**

Item type: Sofa

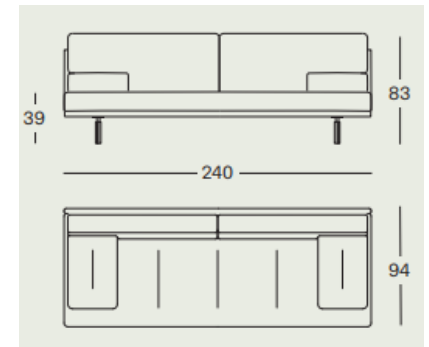
Item code: V1039/212/32228

Designer: D Urbino, Lomazzi

Dimension: 240 x 94

General

Upholstery: Cat. 40 Quinoa 032228



Click the link for more options and finishes:

<https://www.zanotta.it/en-us/prodotti/sofas/milano-plus>