



SELLA

Black saddle of racing bicycle, pink lacquered steel column. Cast-iron base.

Irony and attention to the functions are the assumptions on which 'jugglers' Achille and Pier Giacomo Castiglioni based their participation in the exhibition Colori e forme nella casa d'oggi, at Villa Olmo, Como, in 1957.

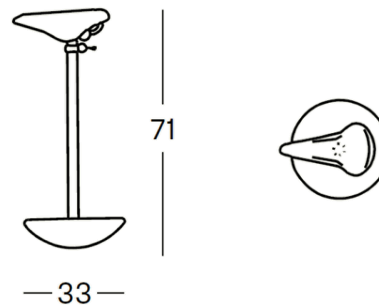
Brand: **Zanotta, Made in Italy**

Item type: Seat

Item code: V200/NERO

Designer: Achille & Pier Giacomo Castiglioni (1957)

Dimension: 33dia. x 71



Click the link for more options and finishes:

<https://www.zanotta.it/en-us/products/furnishing-accessories/sella>